

# Picture Light

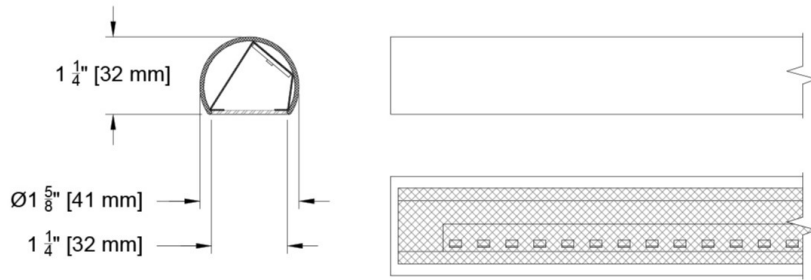
We choose art or a picture for the love of a piece or to adorn a wall. Specialty believes these works should be shown in the best light possible. The high CRI light source renders the items true while eliminating UV helping the piece maintain its original state. Featuring a multitude of material and finishes, our elegant fixtures are made of tubular extrusions with welded and finished end caps, allowing the fixture to blend with the beauty and refinement of the piece.

PROJECT:

TYPE:

SPECIFIER:

DATE:



## Key Points (201)

### Housing

- Extruded brass or Aluminum in brushed or polished finish
- Welded end plates with inset swivel or end swivel
- Specifiable wall projections + lengths, as needed per job
- Polished, satin, or antique finish + custom, RAL colors available

### Source/Optics

- 10w with up to 741 lumens per foot at 3000K
- 90 + CRI
- 2700K, 3000K, 3500K, 4000K
- L80>38,000 hours at 40C ambient

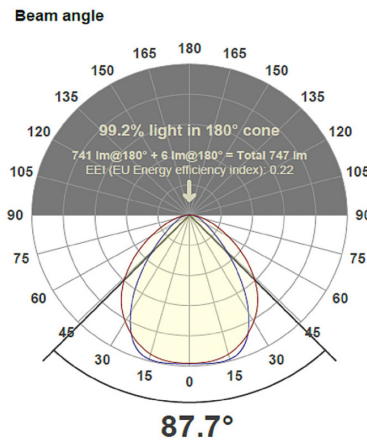
### Driver

- Universal 120-277v
- Remote mount, dimmable, electronic 0-10v, TruPhase™ or ELV phase
- Flicker free to IEEE 1789-2015 available with EldoLED and TruPhase™ selections

### Labels

- US tested to UL standards

201- 1.5" Picture light					
Source	CCT	System watts (W/ft)	Delivered Lumens (Lm/ft)	Lumens/ Watt	Peak (cd)
F10	2700	10	711	71	348
F10	3000	10	741	74	363
F10	3500	10	756	76	370
F10	4000	10	771	77	378



# 201 - 1.5" Picture Light (38mm)

Linear picture light

## Ordering Codes

PROJECT:










SPECIFIER:

DATE:

TYPE:

QUANTITY:

Ordering Code Example: 201-B-3-3-EF-F10-27-SY1-B03

FIXTURE	MOUNTING	LENGTH	ARM PROJECTION	CONFIGURATION	SOURCE / WATTS	CCT	DRIVER / CONTROL	TRIM FINISH
201								
Picture Light 201	<p>A Wall Bracket</p> <p>B J-Box</p> <p>C Through panel</p>	-- Specify length in 1" (25 mm) increments	<p>3 3 inches</p> <p>6 6 inches</p> <p>9 9 inches</p> <p>12 12 inches</p> <p>XX Custom projection available</p>	<p>EF End swivel, friction set</p> <p>IF Inset swivel, friction set</p>	<p>F10 10W 741Lm 90+CRI, 70+R9 values per foot</p>	<p>27 2700K</p> <p>30 3000K</p> <p>35 3500K</p> <p>40 4000K</p>	<p>C2 ELV/Triac * 1.0%, (120-120V) linear</p> <p>SY1 0-10 1.0%, UNV (120-277V) linear</p> <p>SY2 0-10 1.0%, UNV (120-277V) log</p> <p>E1 0-10 0.1%, UNV (120-277V) log</p> <p>E2 DALI-2 0.1%, UNV (120-277V) log</p> <p>E3 0-10 0.1%, UNV (120-277V) linear</p> <p>TR2 TruPhase™ 0.1%, (120-120V) log Up to 20W Forward and Reverse compatible Phase Dimming Static White &amp; Ambient Dim only</p> <p>* 2 foot minimum length required</p>	<p>B Black Paint</p>  <p>W White Paint</p>  <p>B03 * Polished brass * Temporarily Unavailable - Contact Factory</p>  <p>L07 Satin aluminum</p>  <p>BXX * Finish on brass * Temporarily Unavailable - Contact Factory</p>  <p>LXX Finishes on aluminum</p> <p>L01-L08</p>  <p>PXX Specialty Paint Color*</p> <p>P01-P15</p>  <p>C Custom/RAL Color*</p>  <p>FINISH GUIDE LINK</p> 

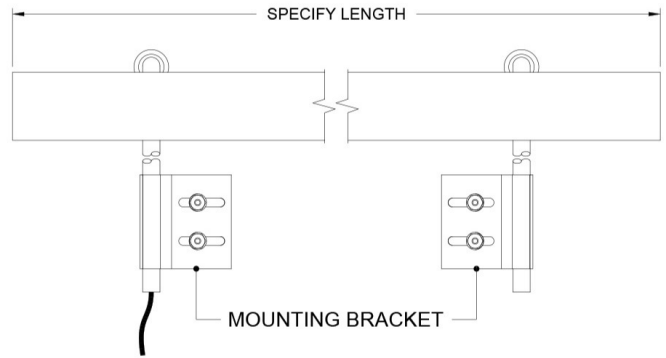
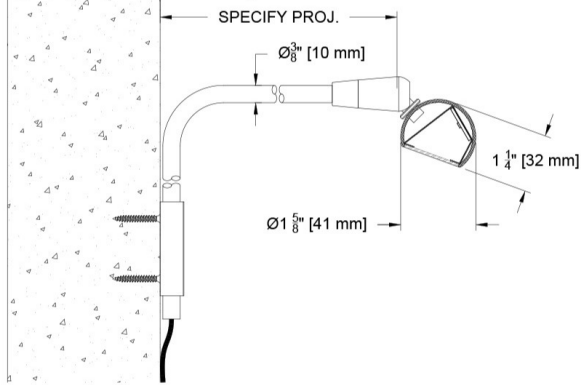


# Fixture Details

## Picture Light Detail A - Wall Bracket/Inset Swivel

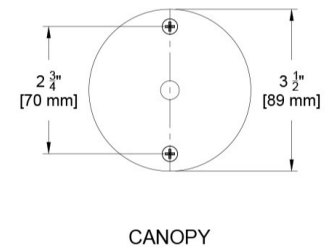
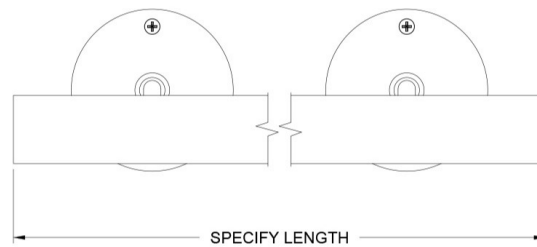
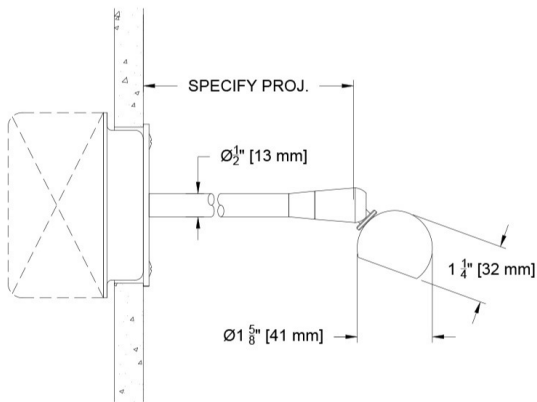
(SCW2D-R-Z-RM)

(201-A-\_-9-IF-F10-27)



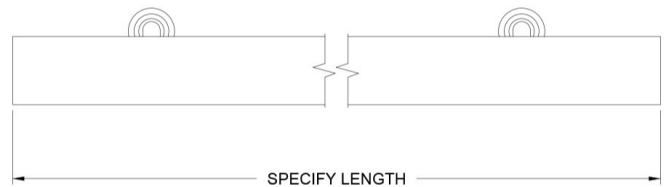
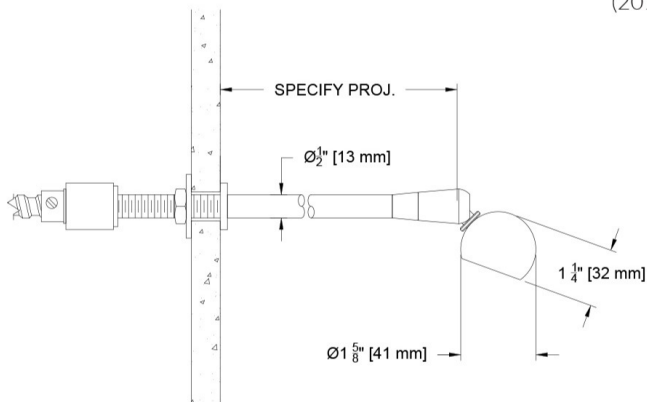
## Picture Light Detail B - J-Box Mount/Inset Friction Swivel

(201-B-\_-3-IF-F10-30)



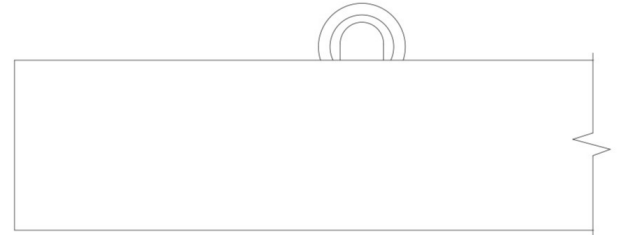
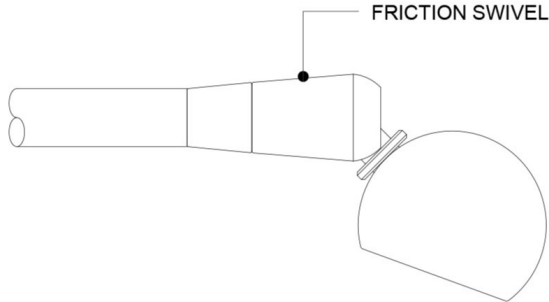
## Picture Light Detail C - Through Panel Mount/Inset Friction Swivel

(201-C-\_-6-IF-F10-30)

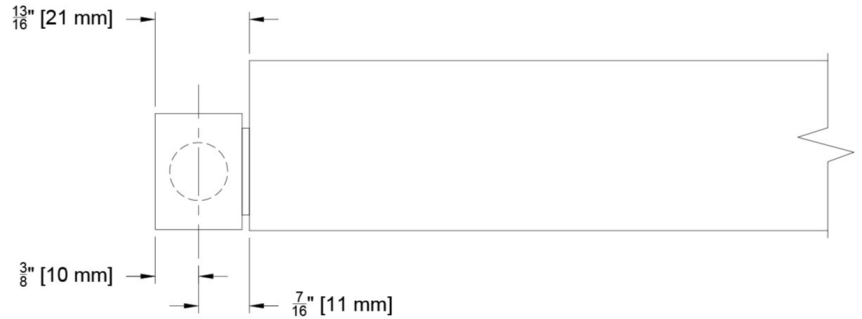
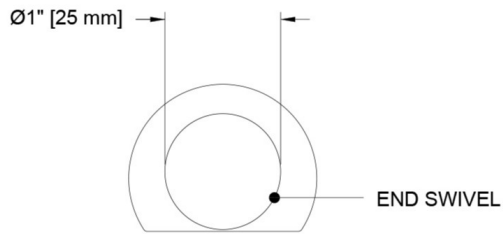


# Fixture Details

## Picture Light Detail / Inset Friction Swivel (IF)

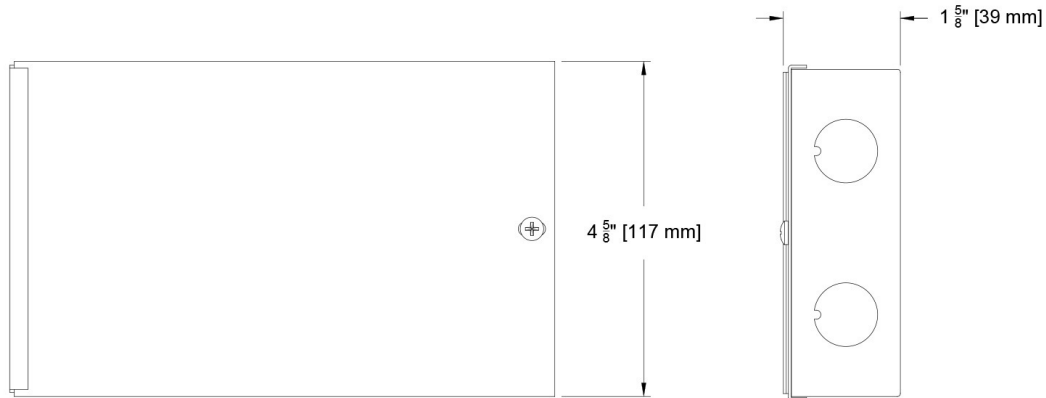
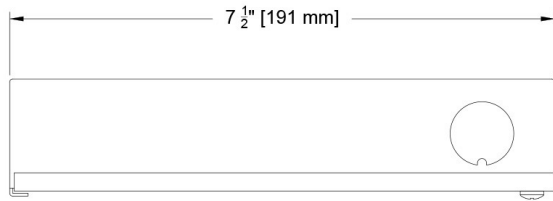


## Picture Light Detail / End Friction Swivel (EF)

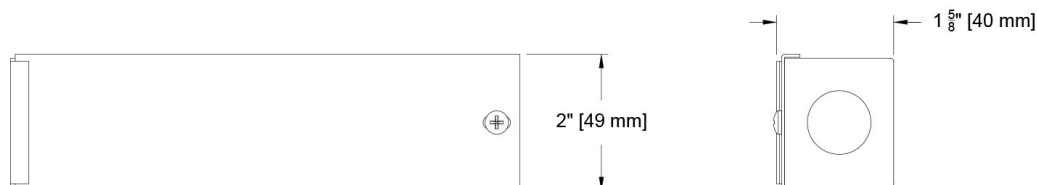
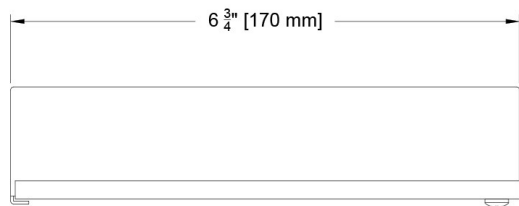


## Fixture Details

### Driver Enclosure for SY1, SY2, E1, E2, E3



### Driver Enclosure for C2

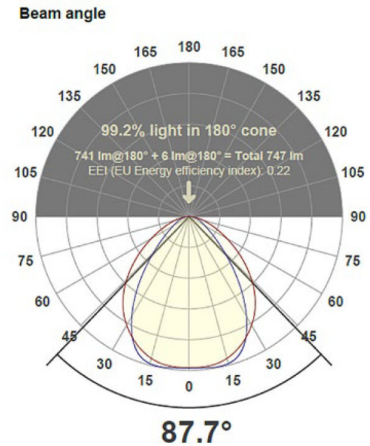


# Photometric Table

Values are either Lumens/foot or Watts/foot. All Measurements delivered lumens based on 3000K and 1' (ft) length. Measurements done with Veiling Acrylic Lens (79A). Other lens choices are available but will potentially change beam spread and light output. If a specific measurement on another lens is required please contact your regional sales manager and we will be happy to run the test. All values are from production representative product and can vary +/- 10% from source manufacturers rated flux range. For other CCTs, use the following multipliers: 2700k 0.97, 3500 1.03, 4000 1.04.

PL201- 1.5" Picture light					
Source	CCT	System watts (W/ft)	Delivered Lumens (Lm/ft)	Lumens/Watt	Peak (cd)
F10	2700	10	711	71	348
F10	3000	10	741	74	363
F10	3500	10	756	76	370
F10	4000	10	771	77	378

Measurements based on 3000K CCT



# Color Data

All data is based from goniometer measurements of production representative product. All lumen values can vary +/- 10% from LED manufacturer rated data range. Measurements at 3000 CCT unless otherwise noted.

All data below are delivered lumens. Color and flux information based on goniometer measurements of production representative product. All values can vary +/-10% from LED manufacturer rated nominal data as listed on their datasheet.

## F10 Linear Array

- <3 MacAdam Ellipse (<3 SDCM)
- 90+ CRI and RF
- 70+R9

PL201- 1.5" Picture light					
Source	CCT	System watts (W/ft)	Delivered Lumens (Lm/ft)	Lumens/ Watt	Peak (cd)
F10	2700	10	711	71	348
F10	3000	10	741	74	363
F10	3500	10	756	76	370
F10	4000	10	771	77	378

Measurements based on 3000K CCT

